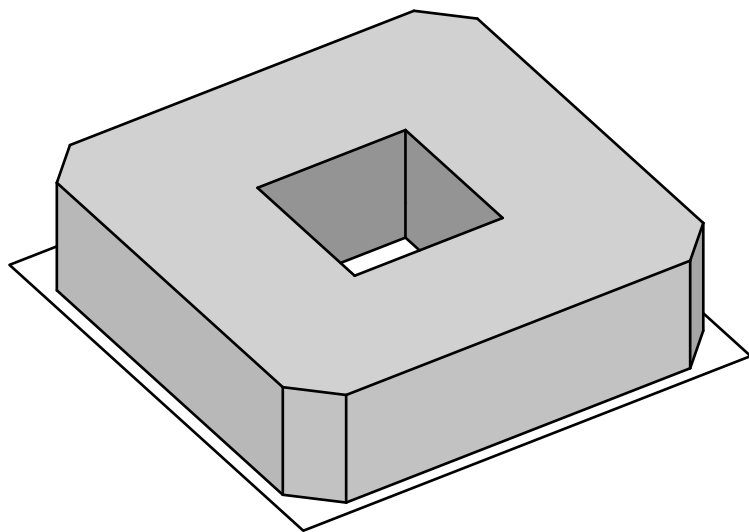
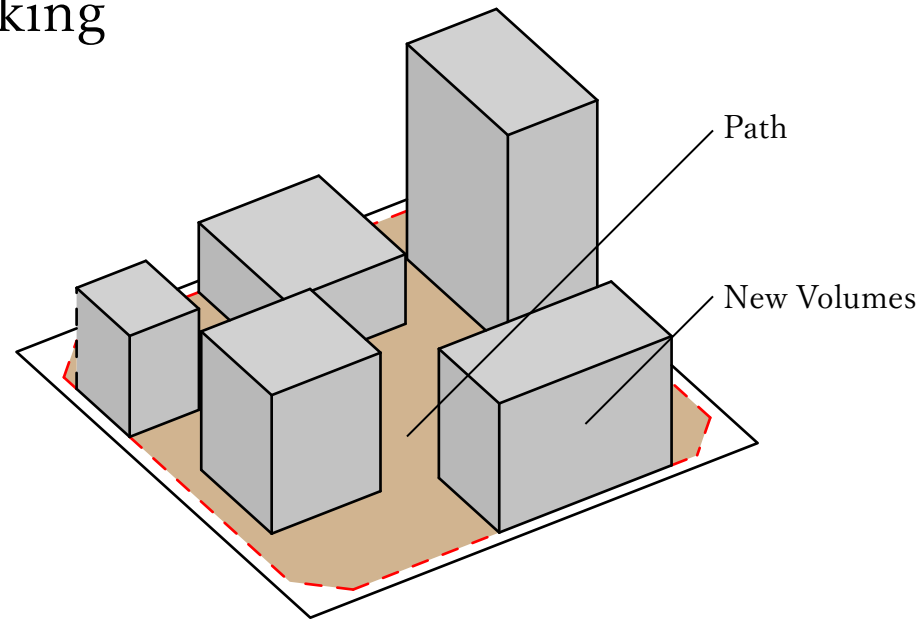


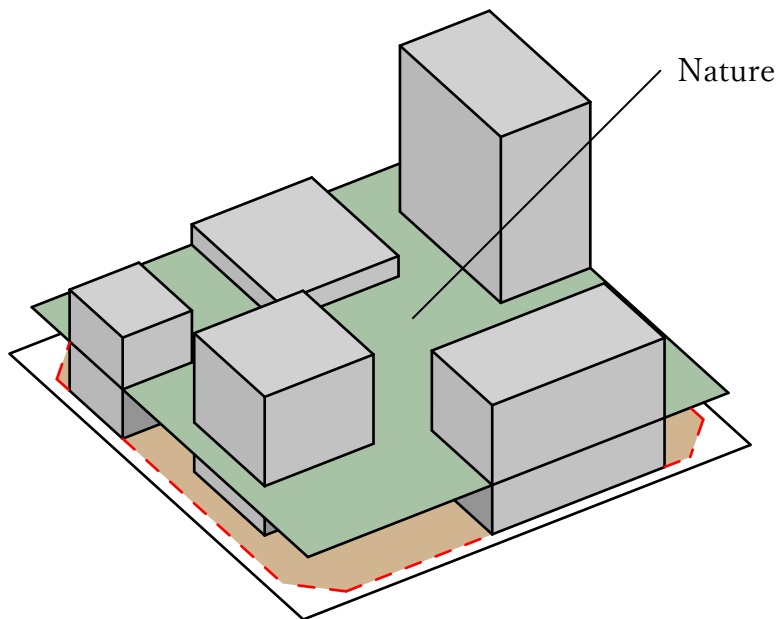
# Process of thinking



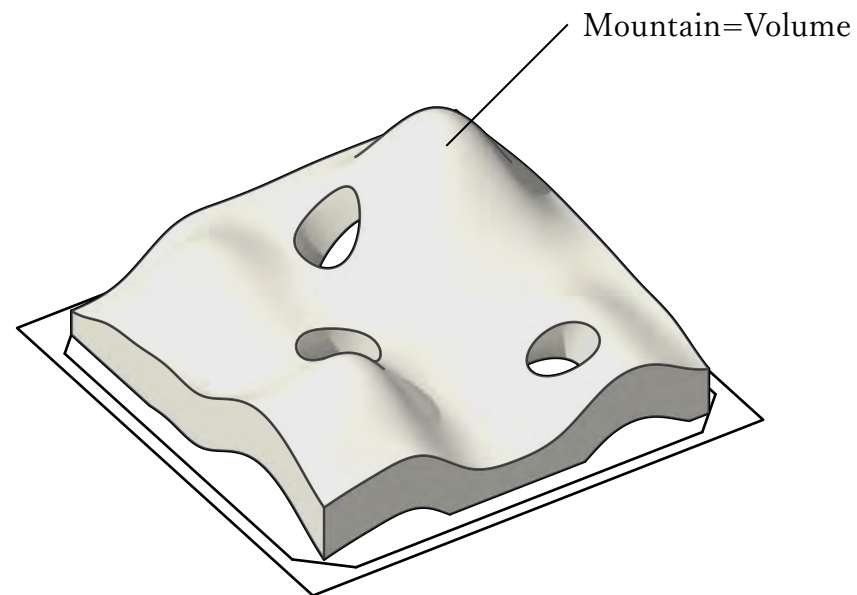
1. Super Block.



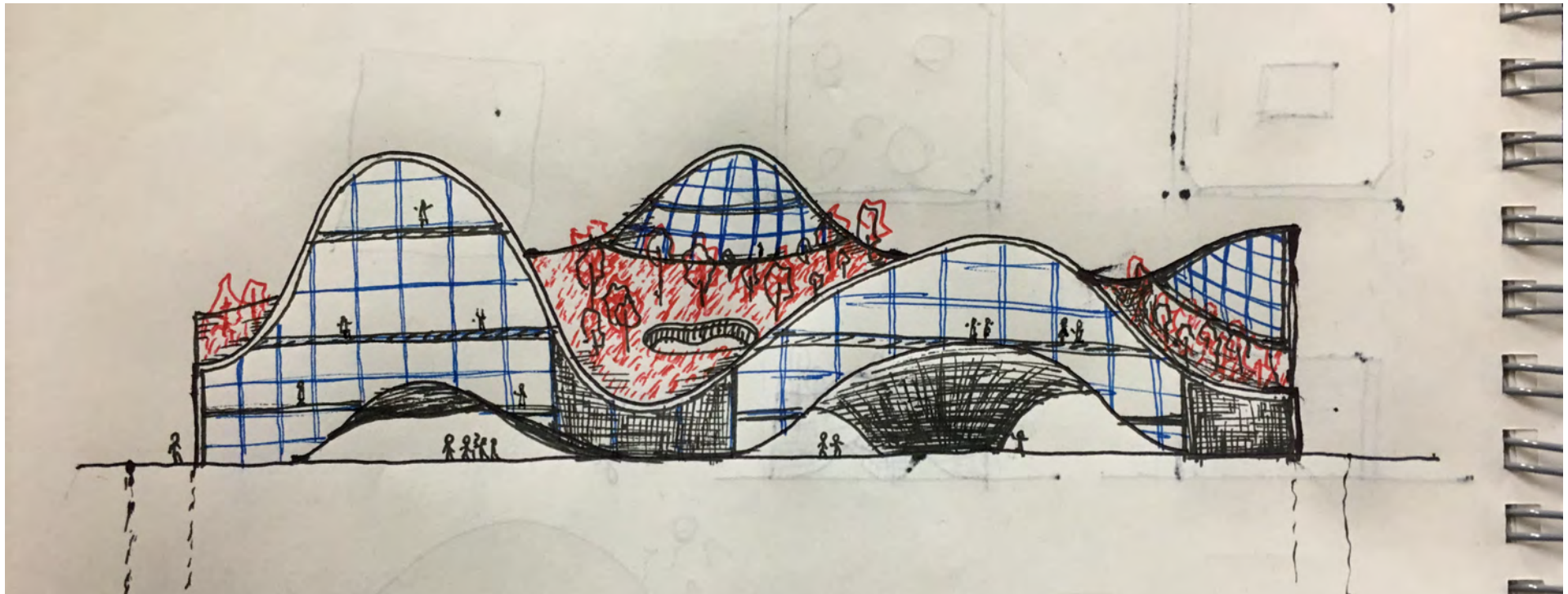
2. Make path.  
Separate volume.



3. Cover the nature above ground.



4. Combine two elements into one block type



Separated Volumes was changed into the mountain-like shapes, and roof top which was curved with connecting each mountain would be the nature park. From the up floor of the mountain people can access the Roof-Top-Nature directly. On the ground level people can walk through under the new block.